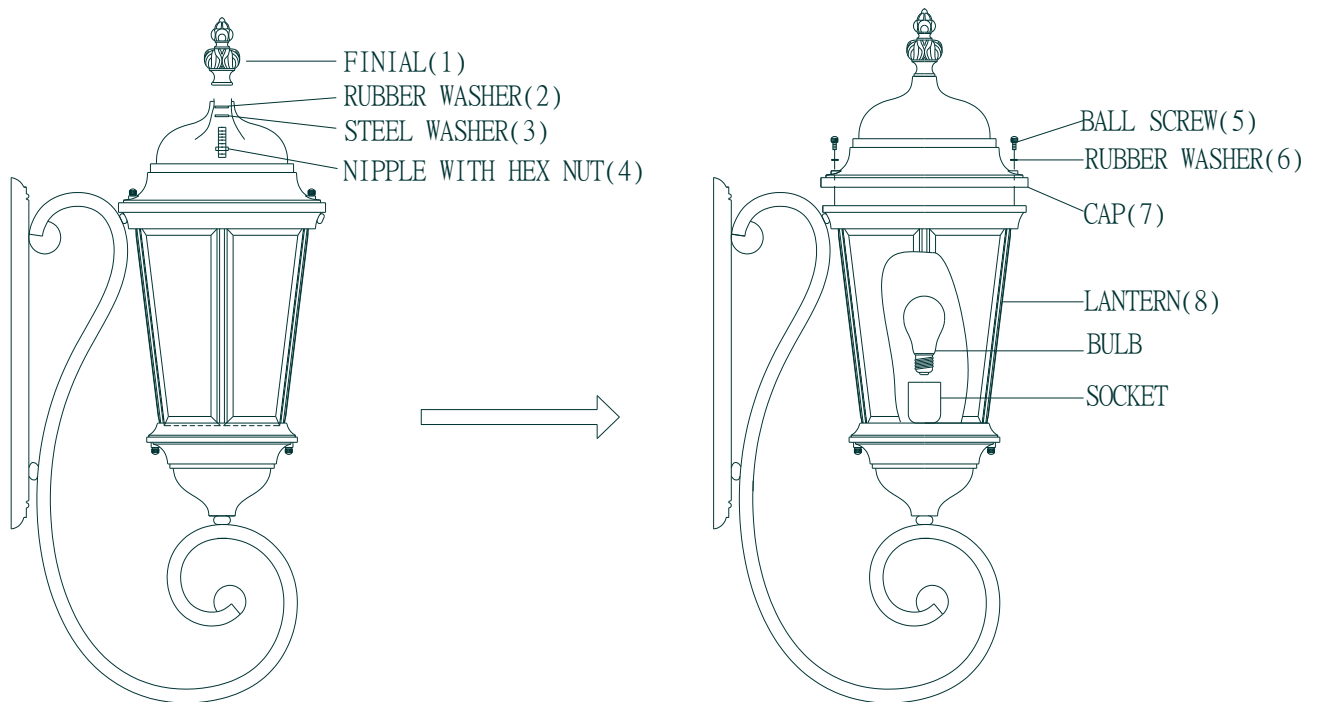




LIGHTING



INSTALLATION INSTRUCTIONS

1. Carefully remove the fixture out of the carton, and check that all parts are included referring to the above illustration. Make sure not to misplace any parts that are needed for the installation;
2. Install the nipple with hex nut(4) through steel washer(3), rubber washer(2) using finial(1) on;
3. The fixture is assembled!

NOTE: when change bulb, you must be take off the ball screw(5), then install the bulb into socket, then thread ball screw(5) through rubber washer(6) and cap(7) into lantern(8);